

# STAGES QIEMEM — Advanced Segments Mode — Segments IN GROUPS

...to toggle ignoring rising gates during decay stage

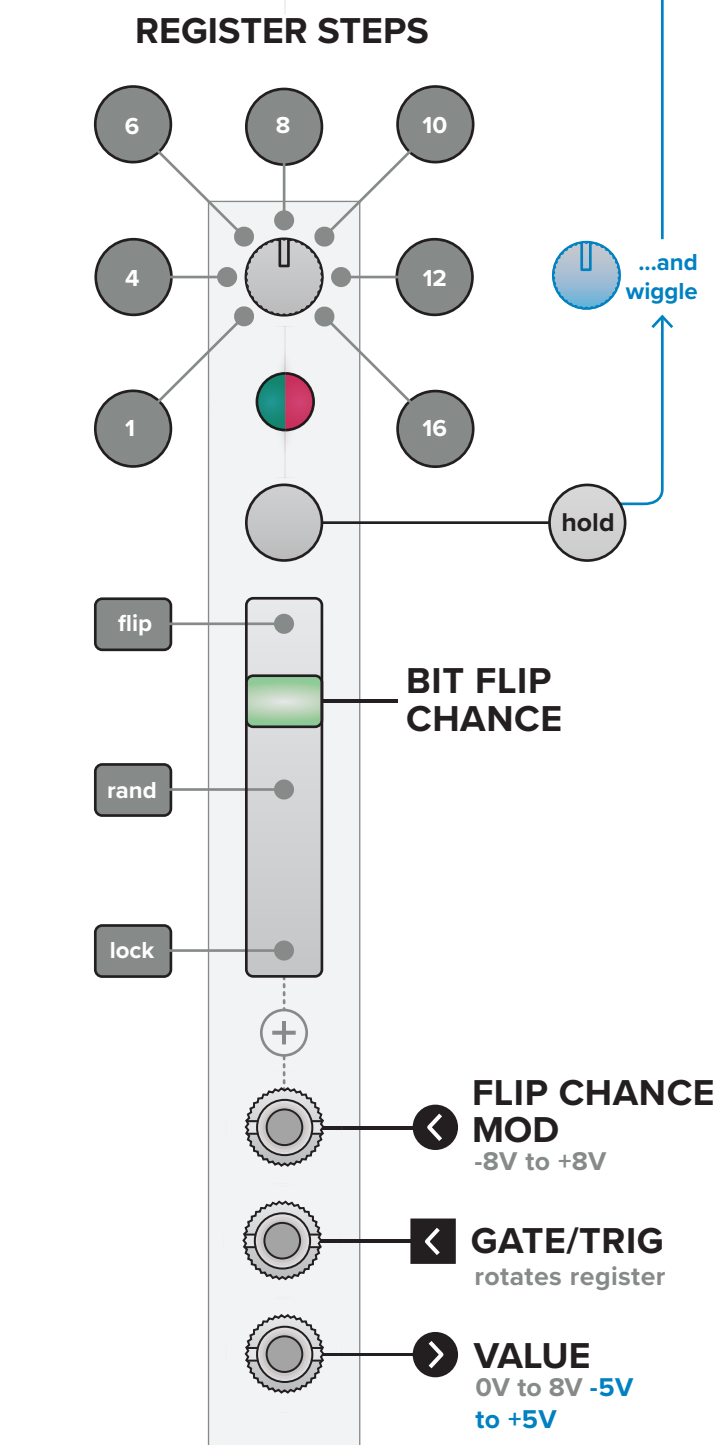
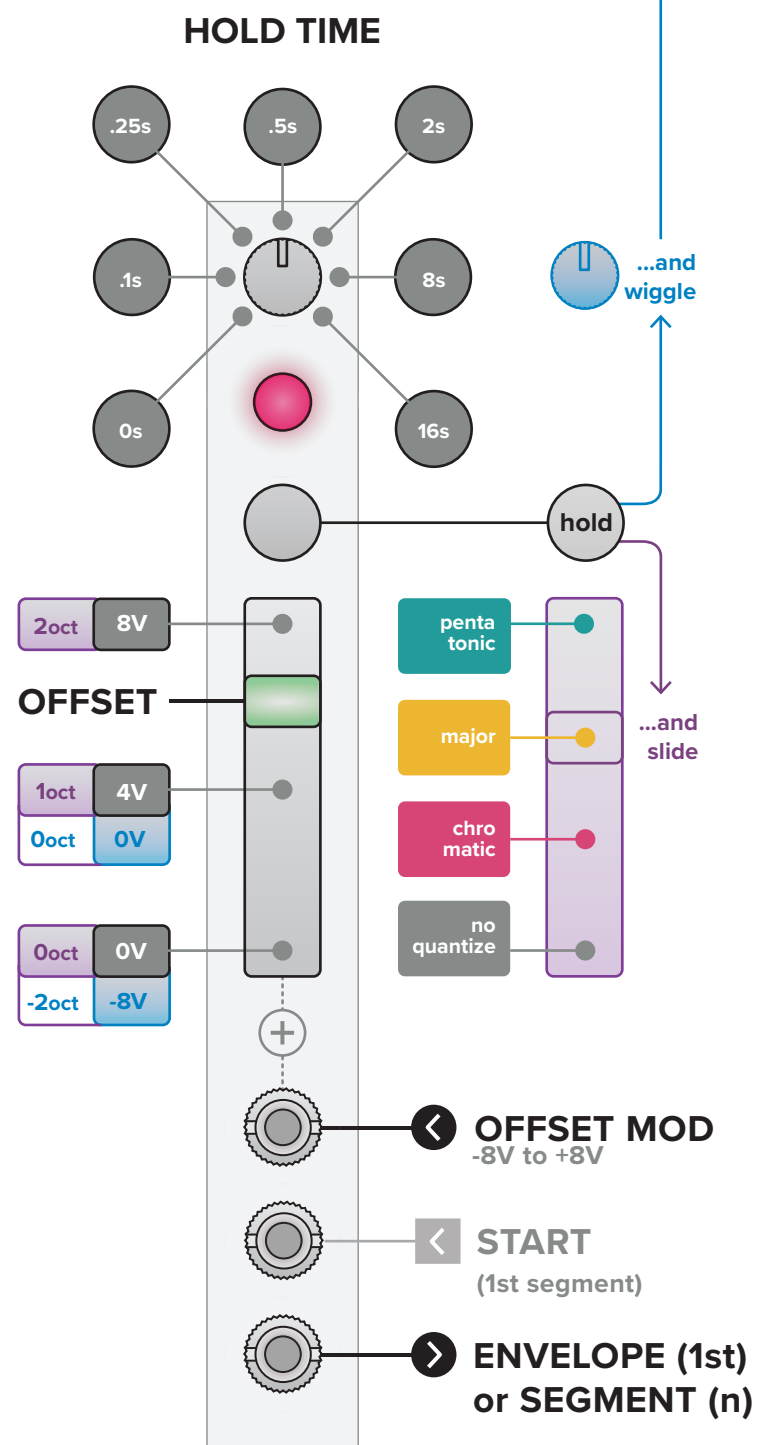
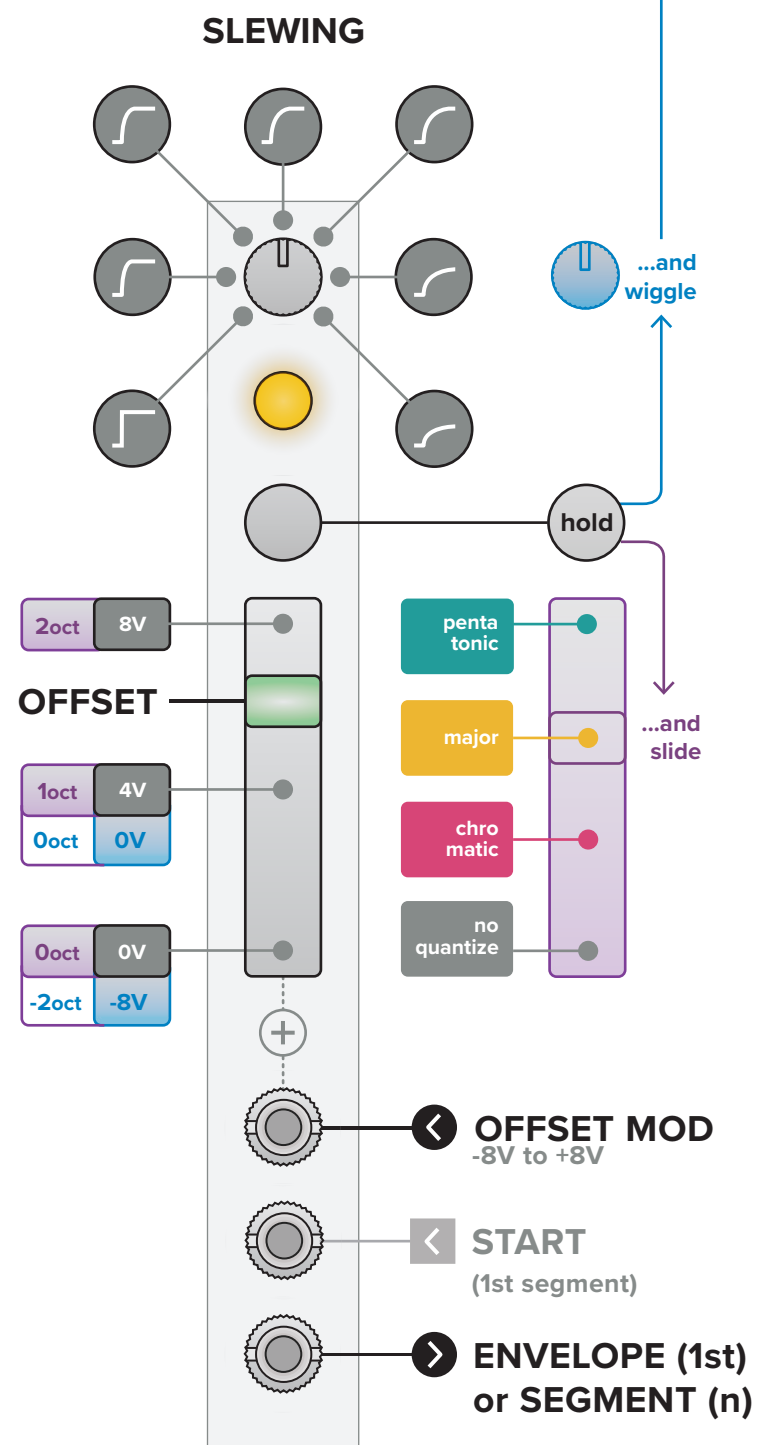
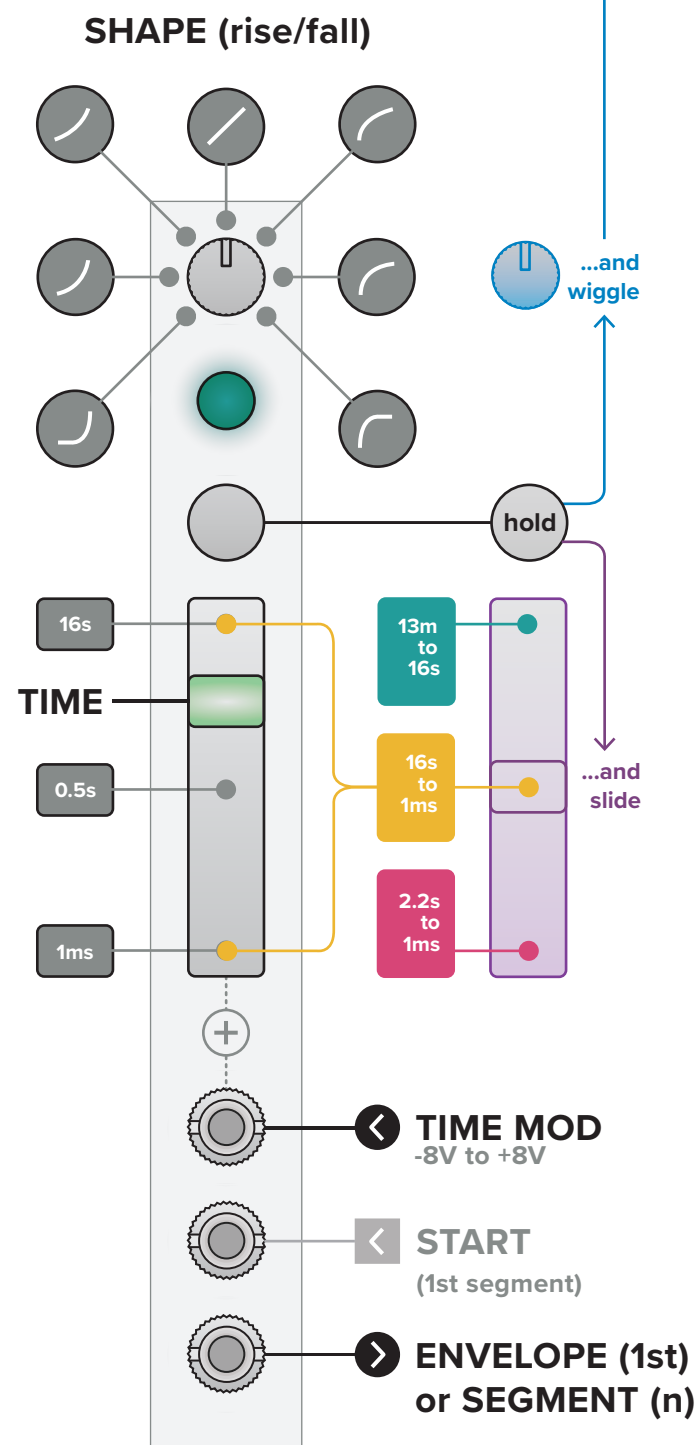
...to toggle slider's polarity

loop for sustain

...to toggle slider's polarity

loop for hold

...to toggle value polarity



RAMP

STEP

HOLD

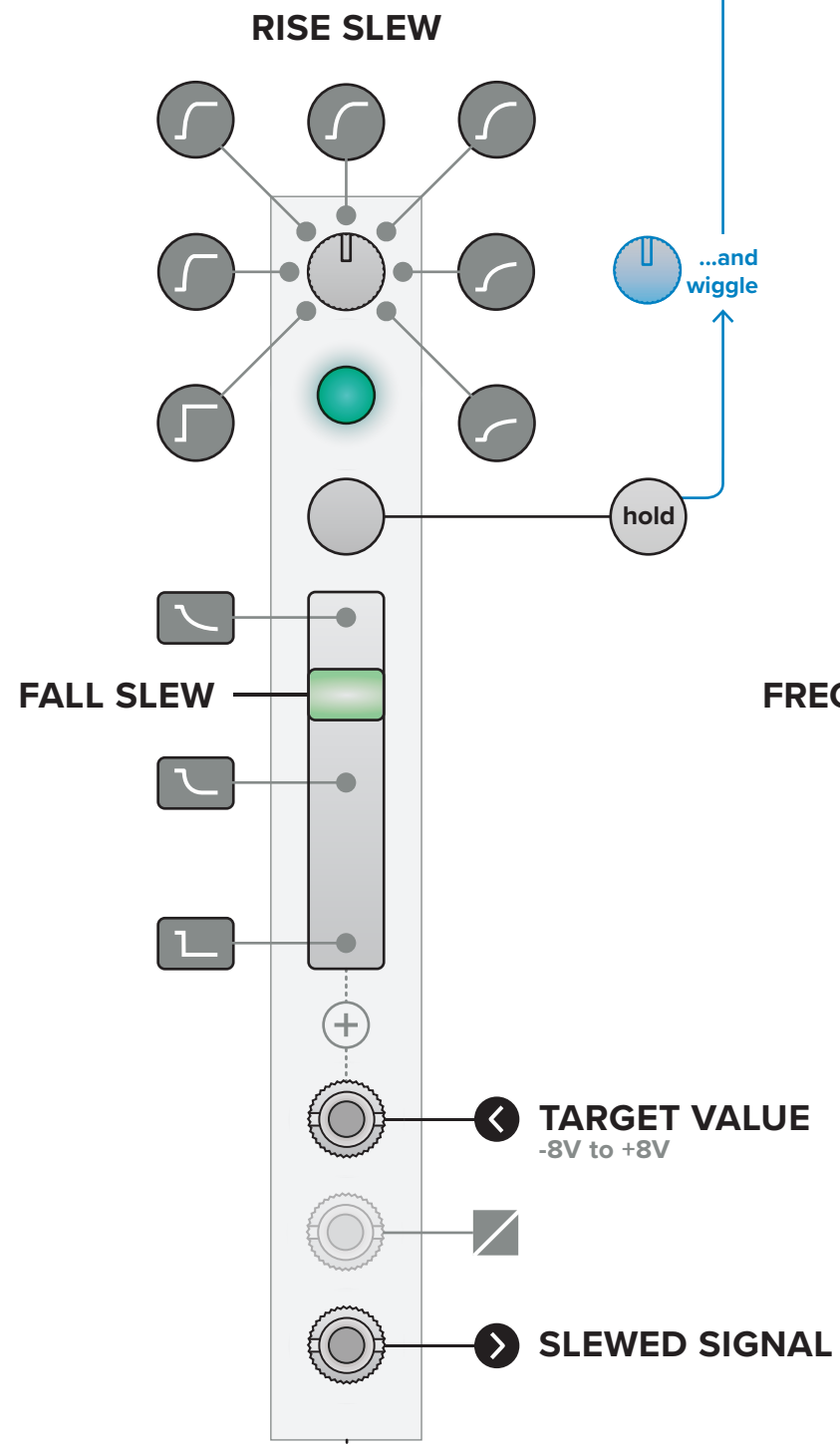
SHIFT REG.



# STAGES QIEMEM — Advanced Segments Mode — STANDALONE Segments

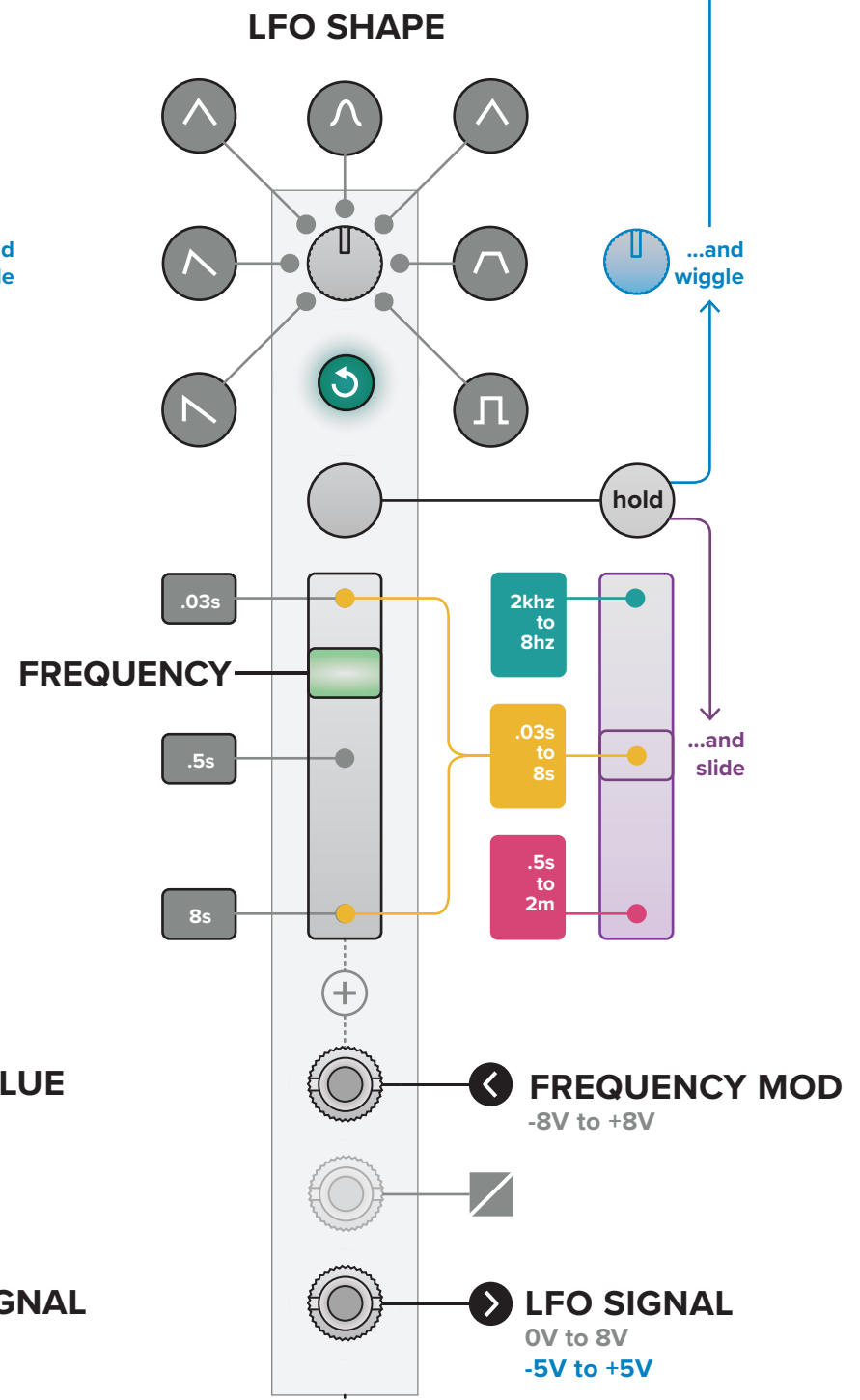


...to toggle full-wave rectification



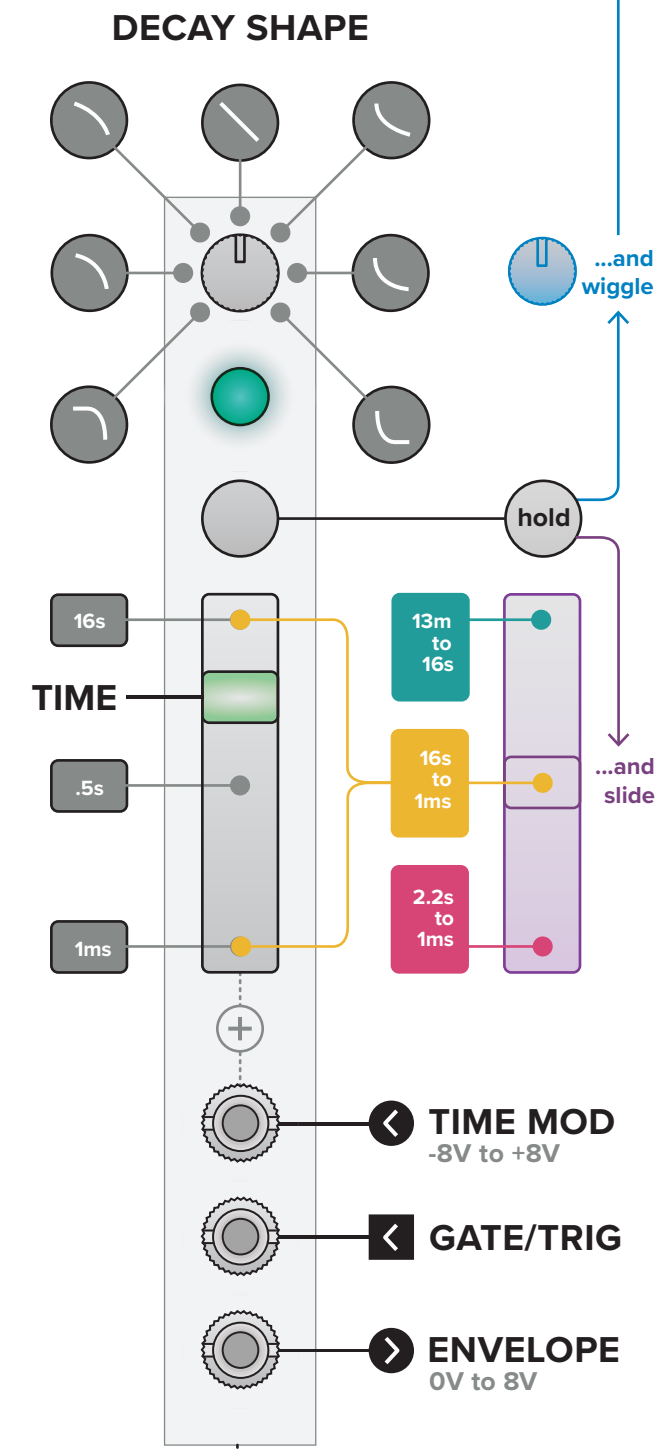
## RISE/FALL SLEW

... to toggle LFO signal polarity



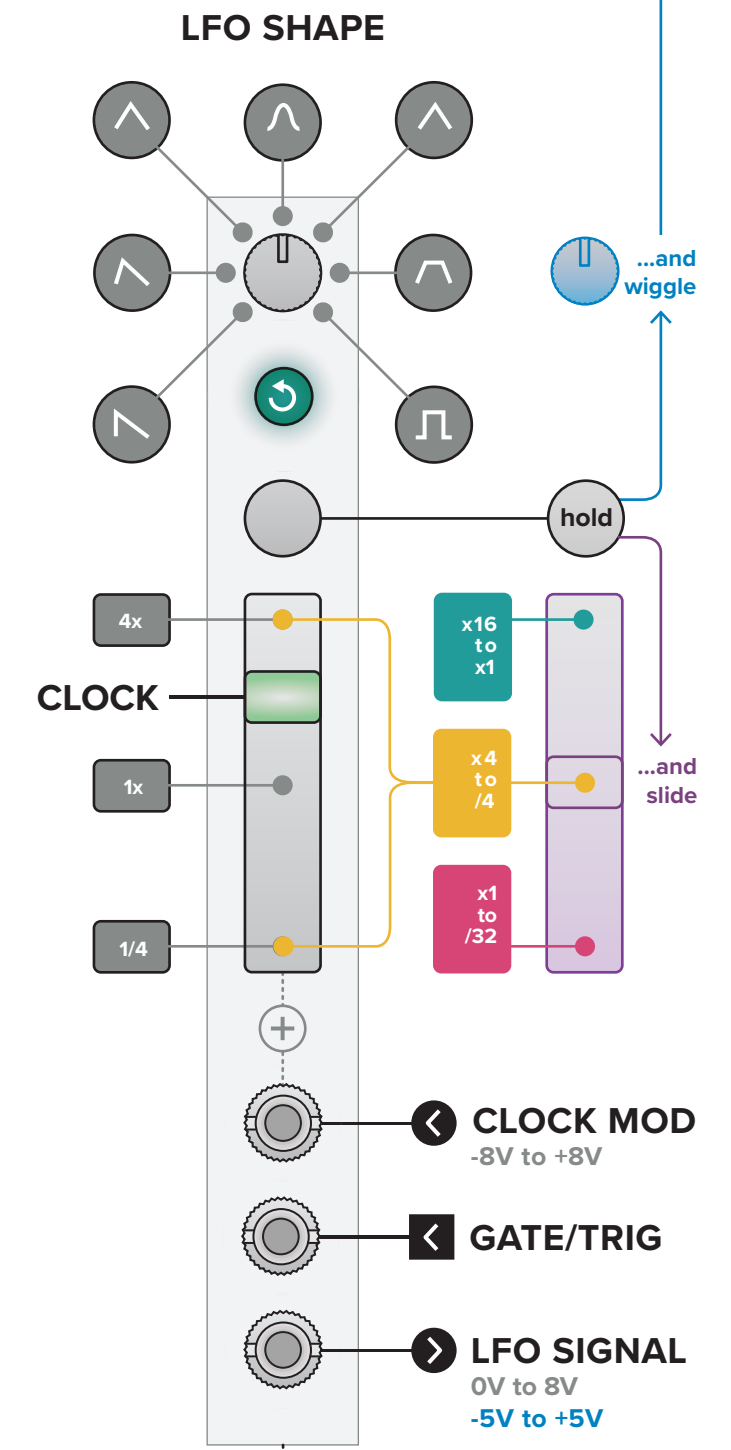
## LFO

...to toggle ignoring rising gates during decay stage



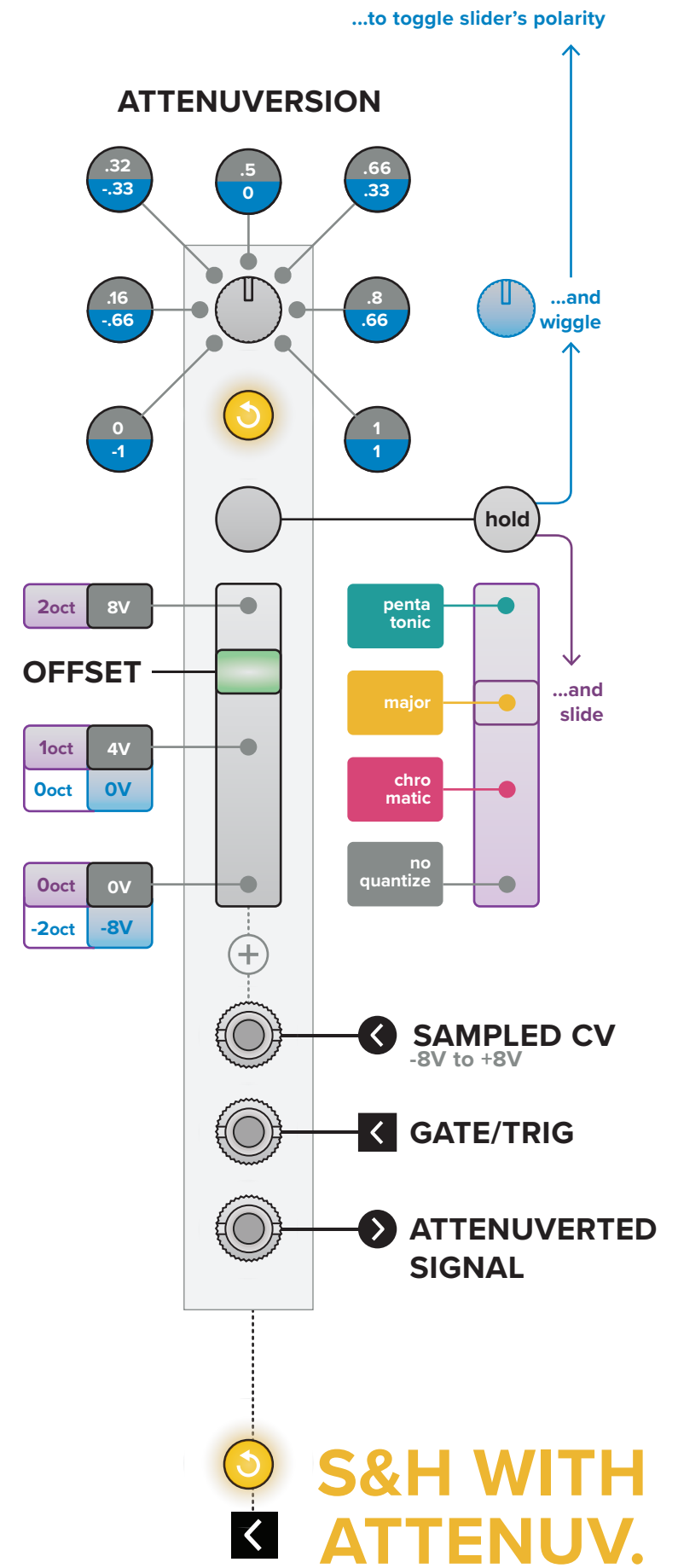
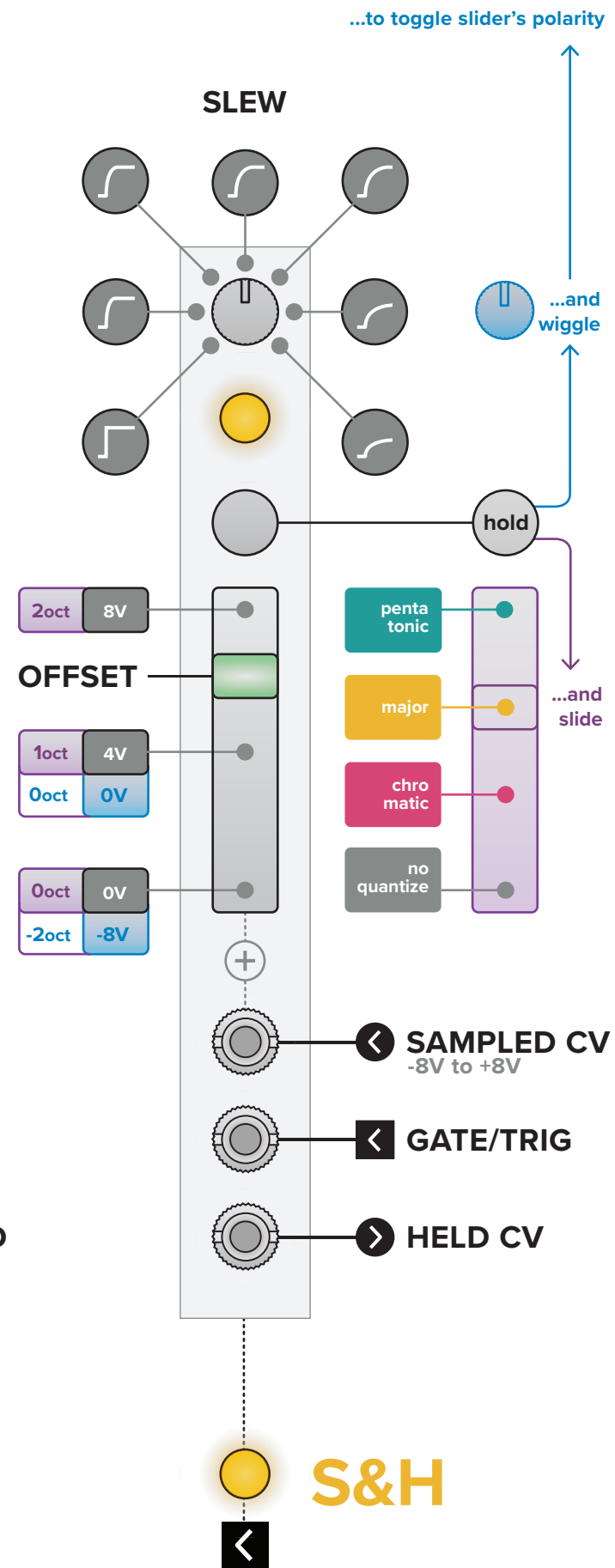
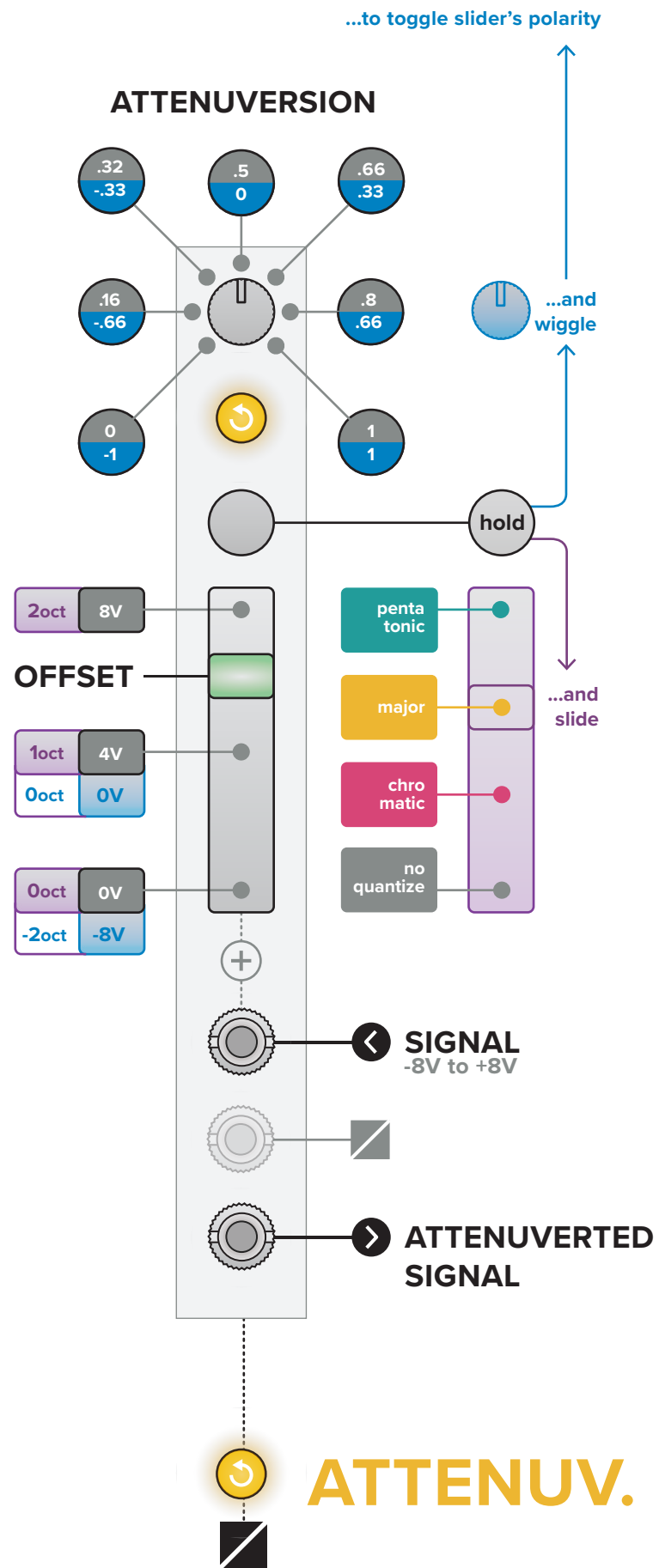
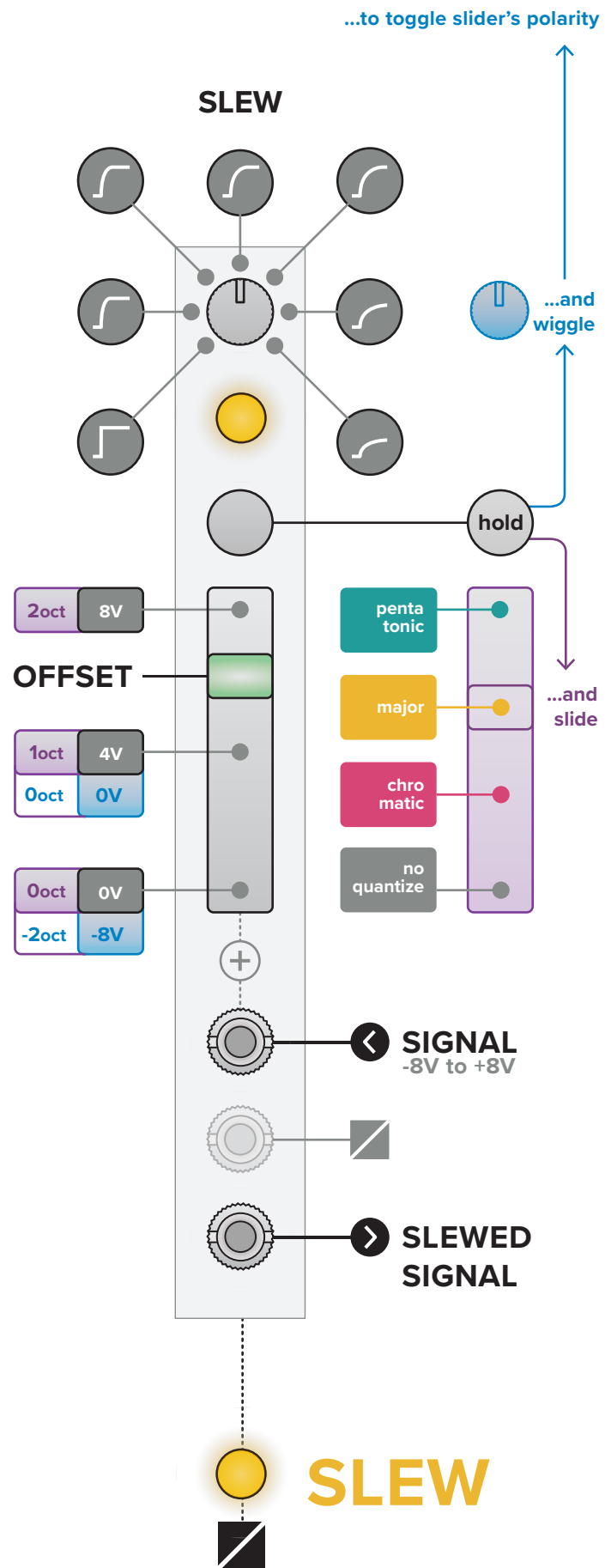
## DECAY

...to toggle LFO signal polarity

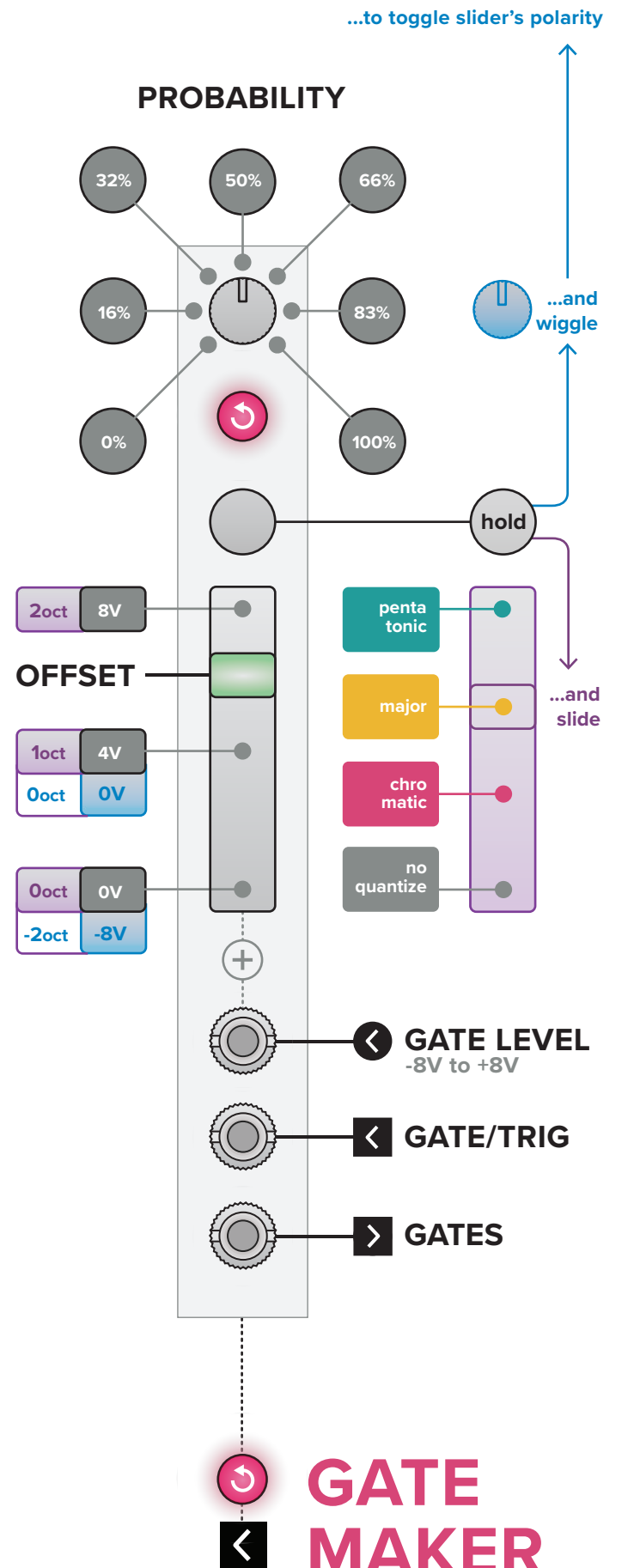
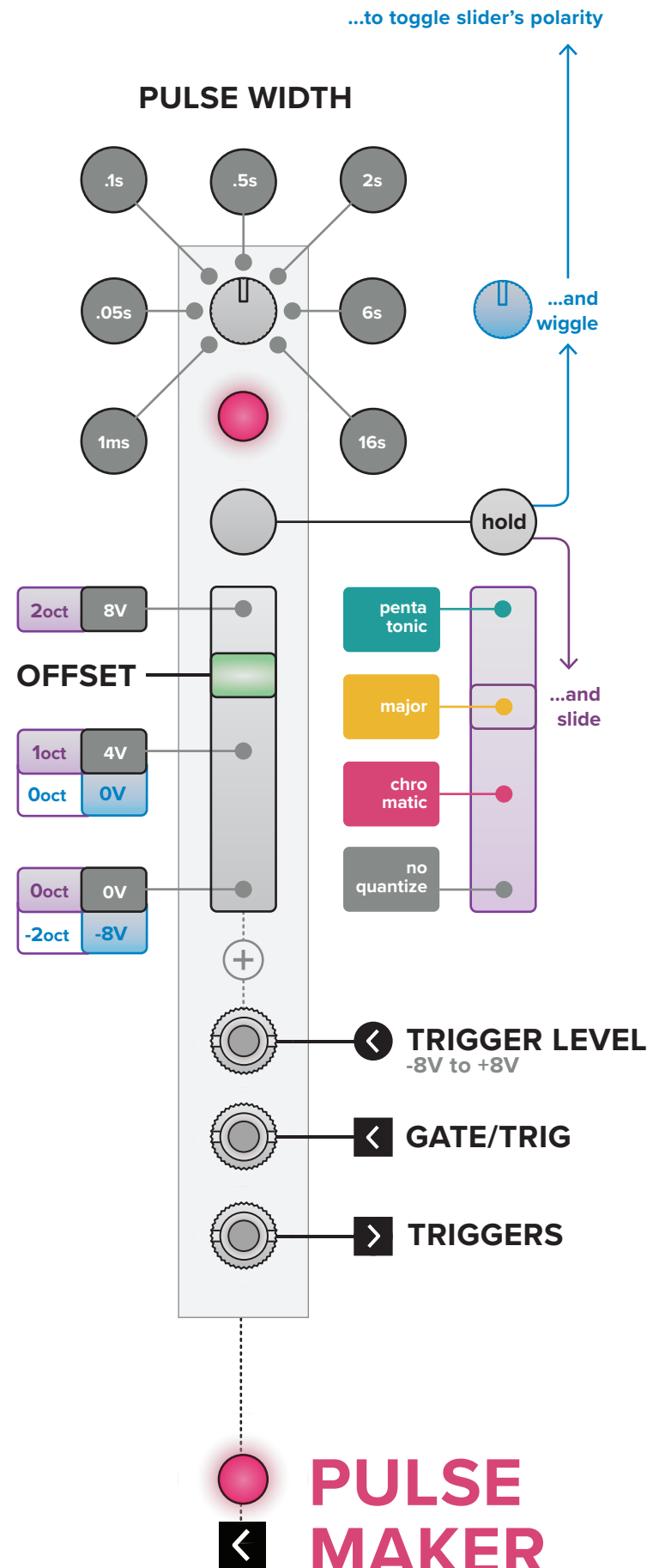
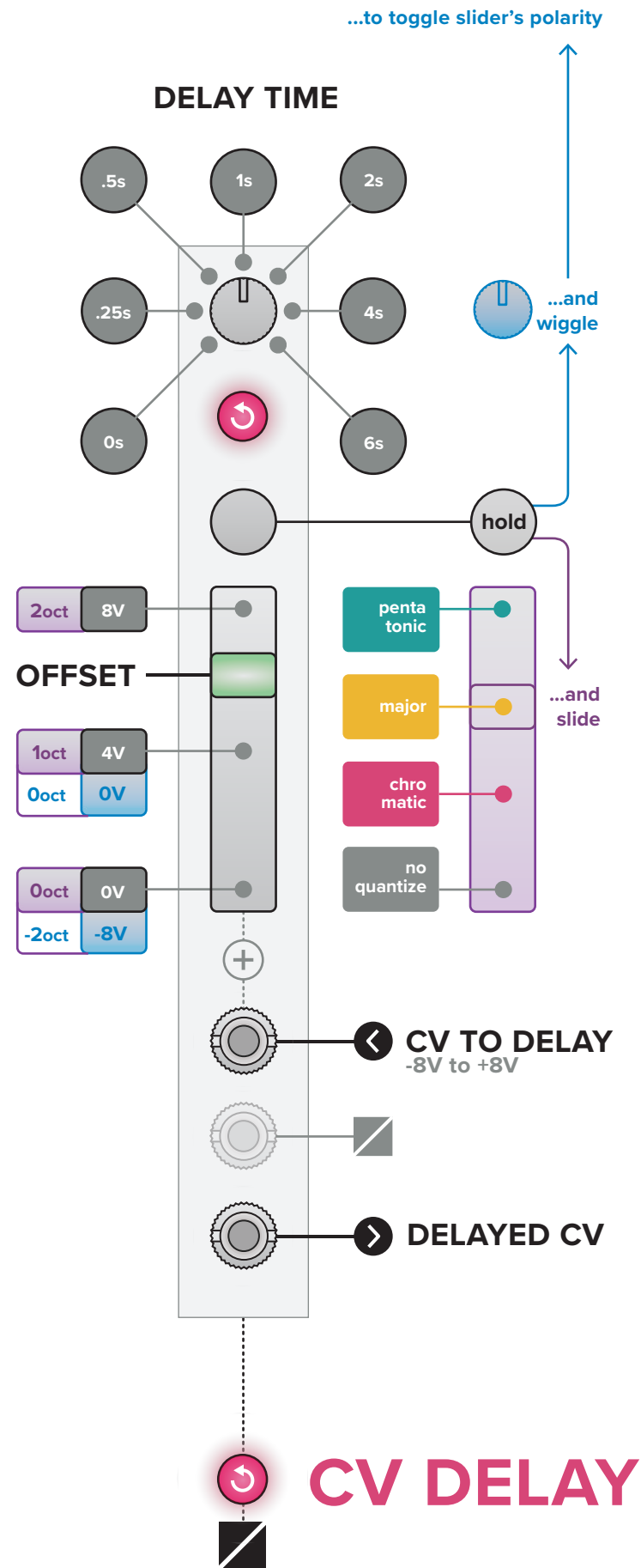
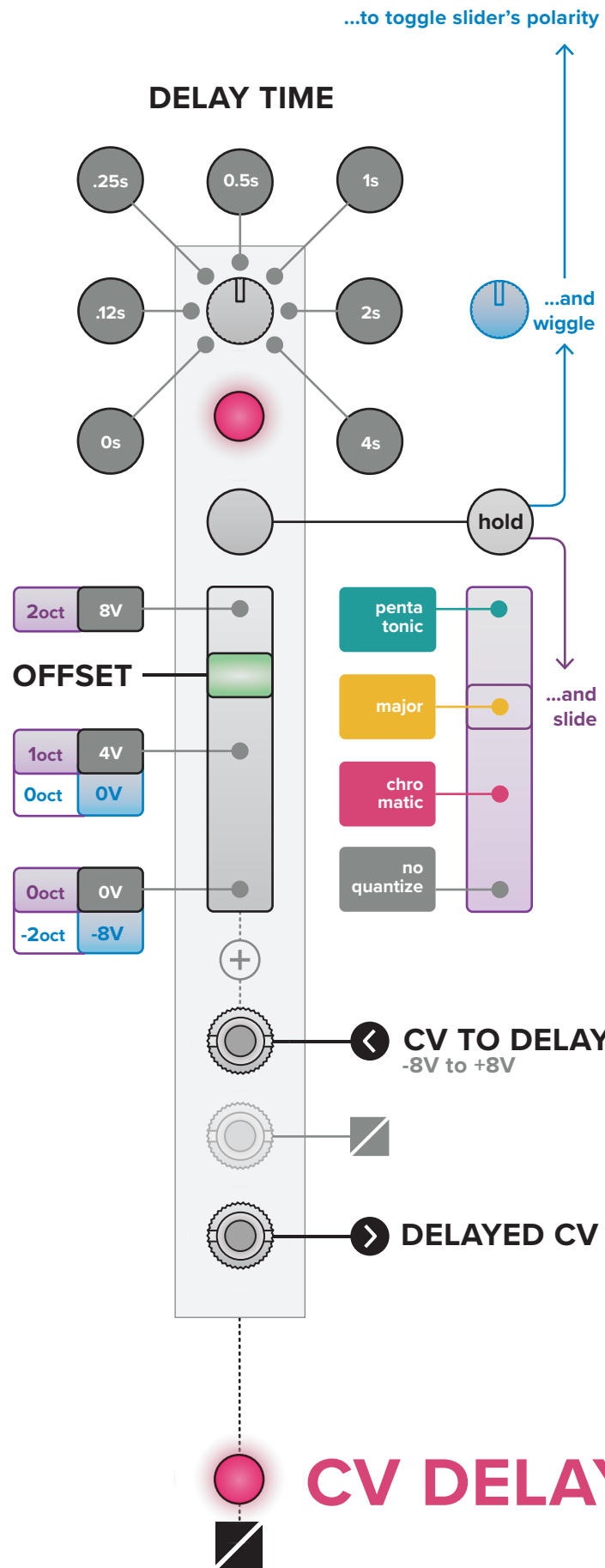


## CLOCKED LFO

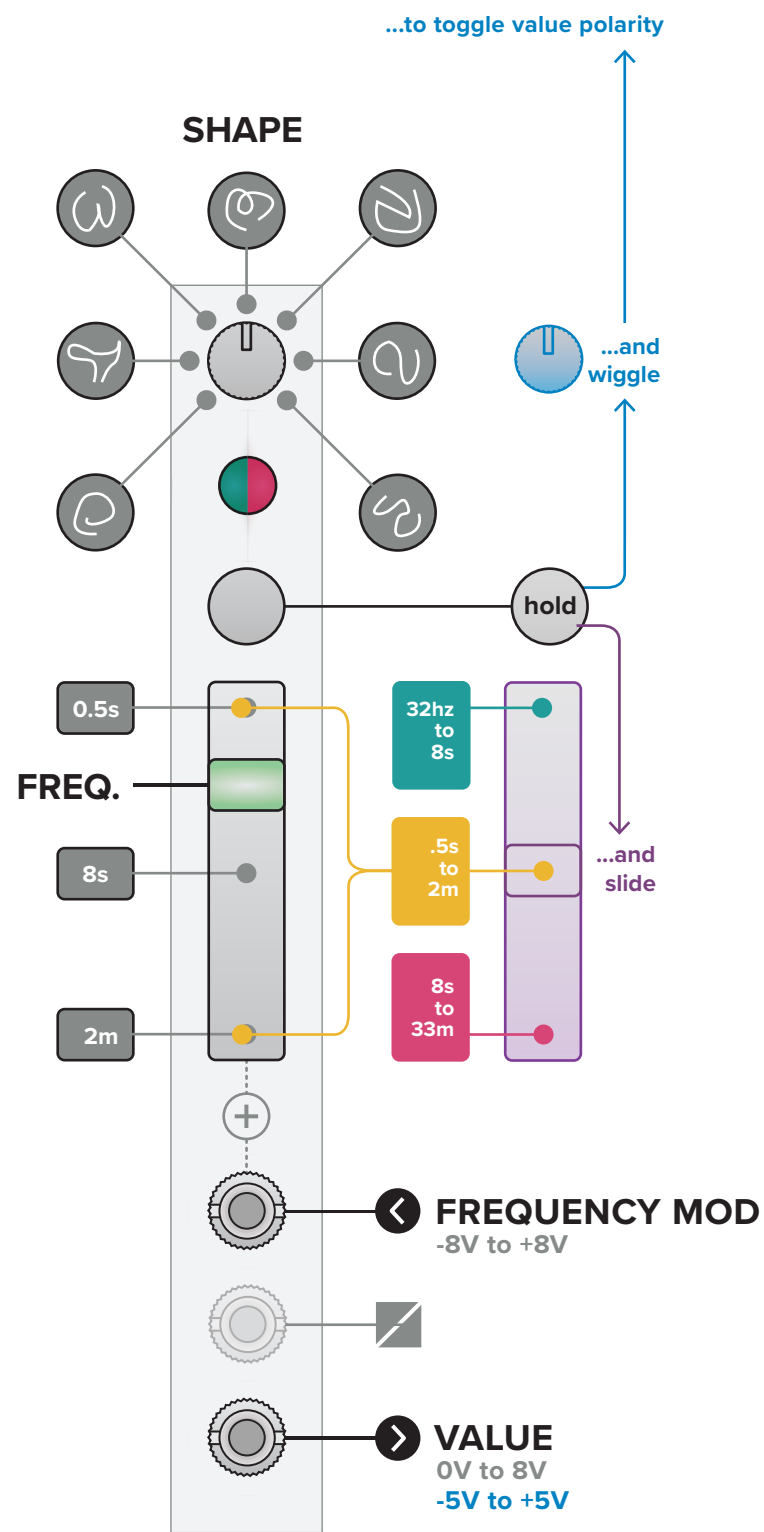
STAGES QIEMEM — Advanced Segments Mode — STANDALONE Segments



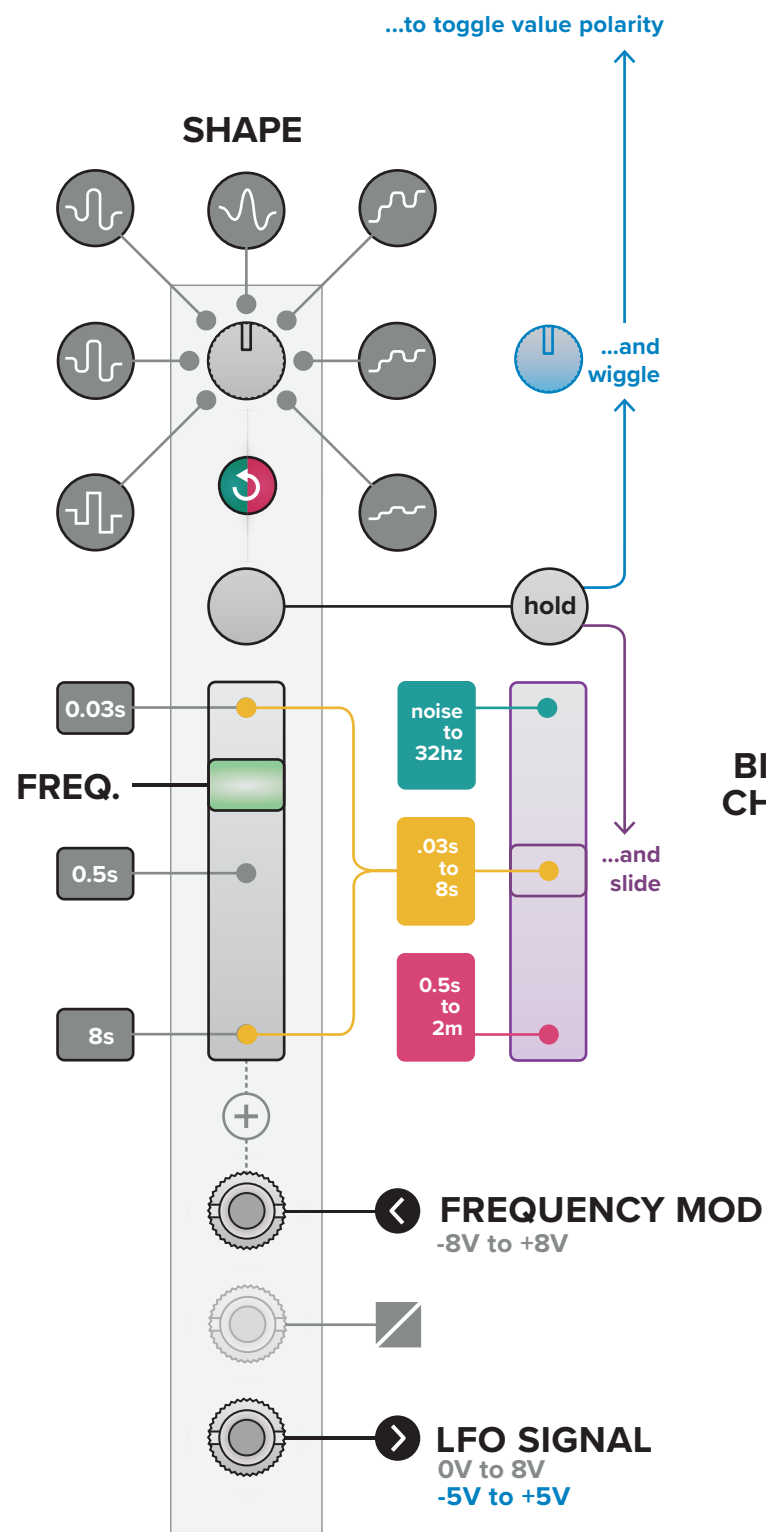
STAGES QIEMEM — Advanced Segments Mode — STANDALONE Segments



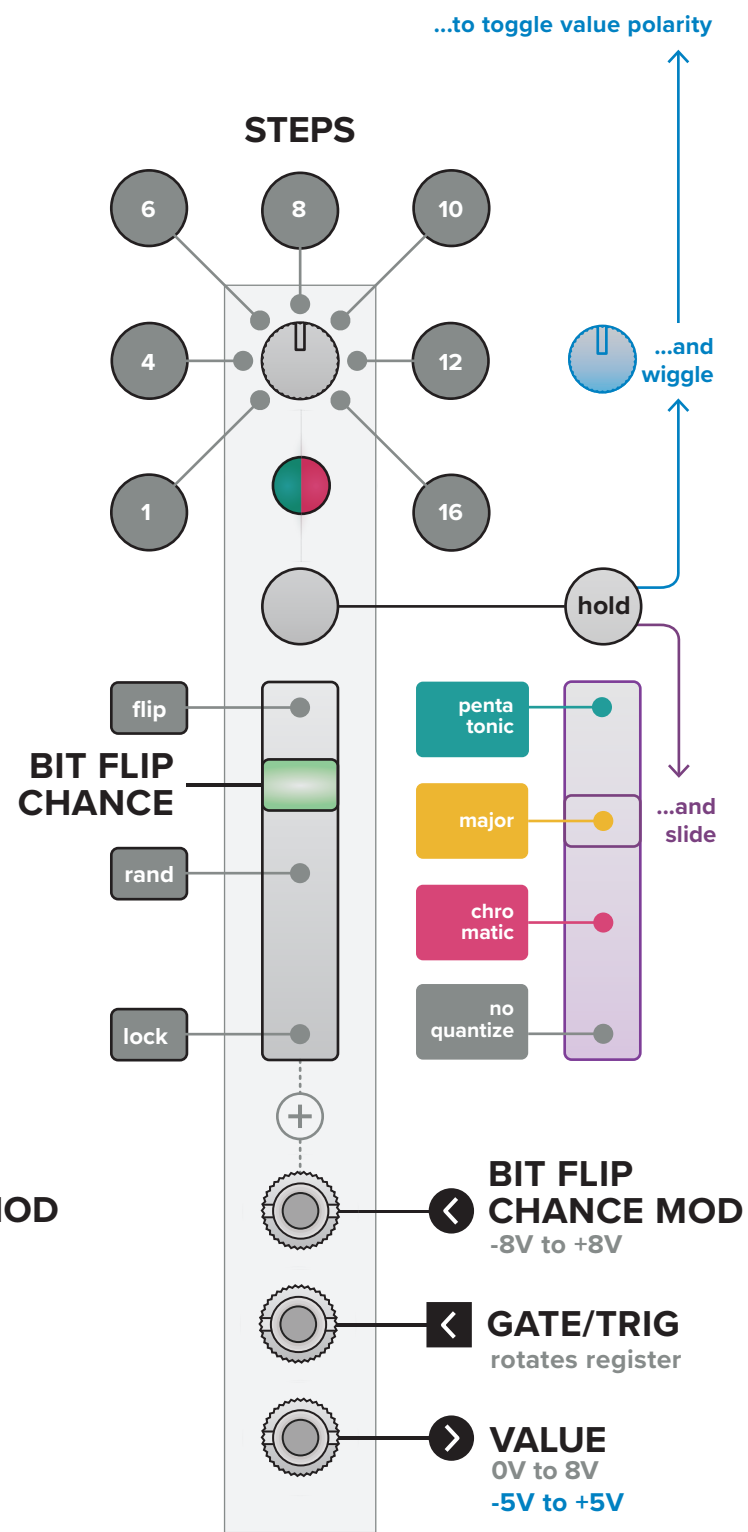
STAGES QIEMEM — Advanced Segments Mode — STANDALONE Segments



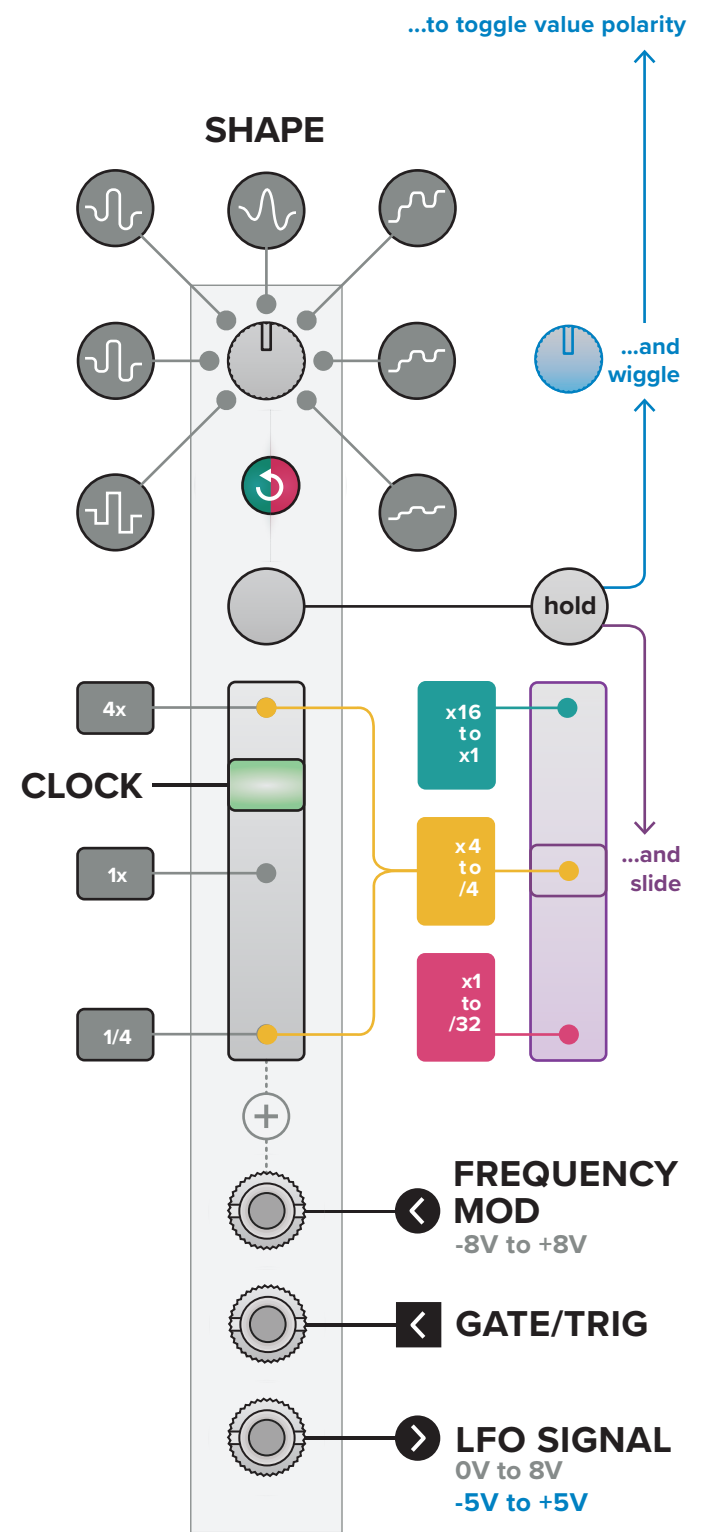
**CHAOTIC SMOOTH**



**RANDOM LFO**



**SHIFT REGISTER**

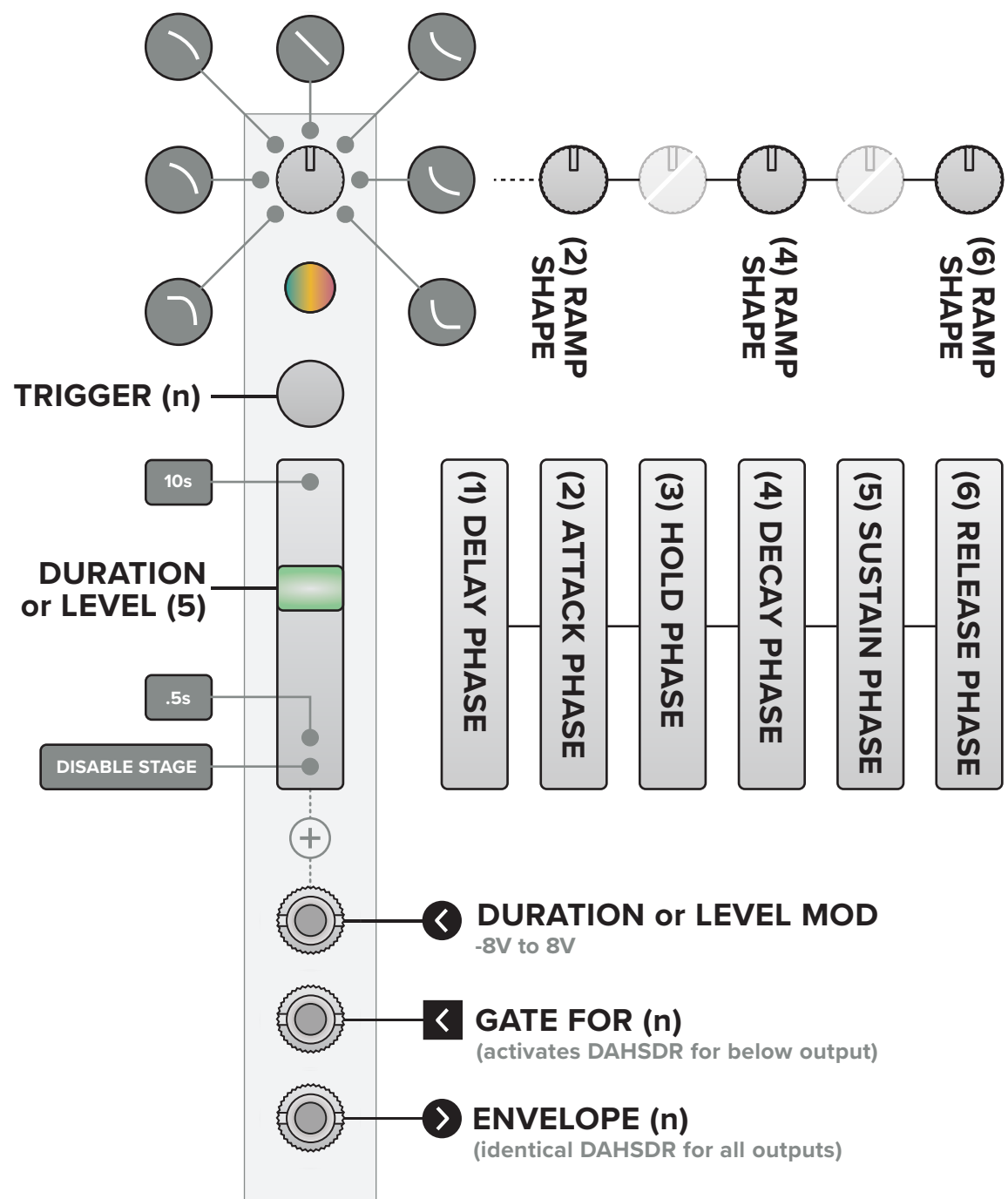


**CLOCKED RANDOM LFO**



STAGES QIEMEM — DAHDSR Mode

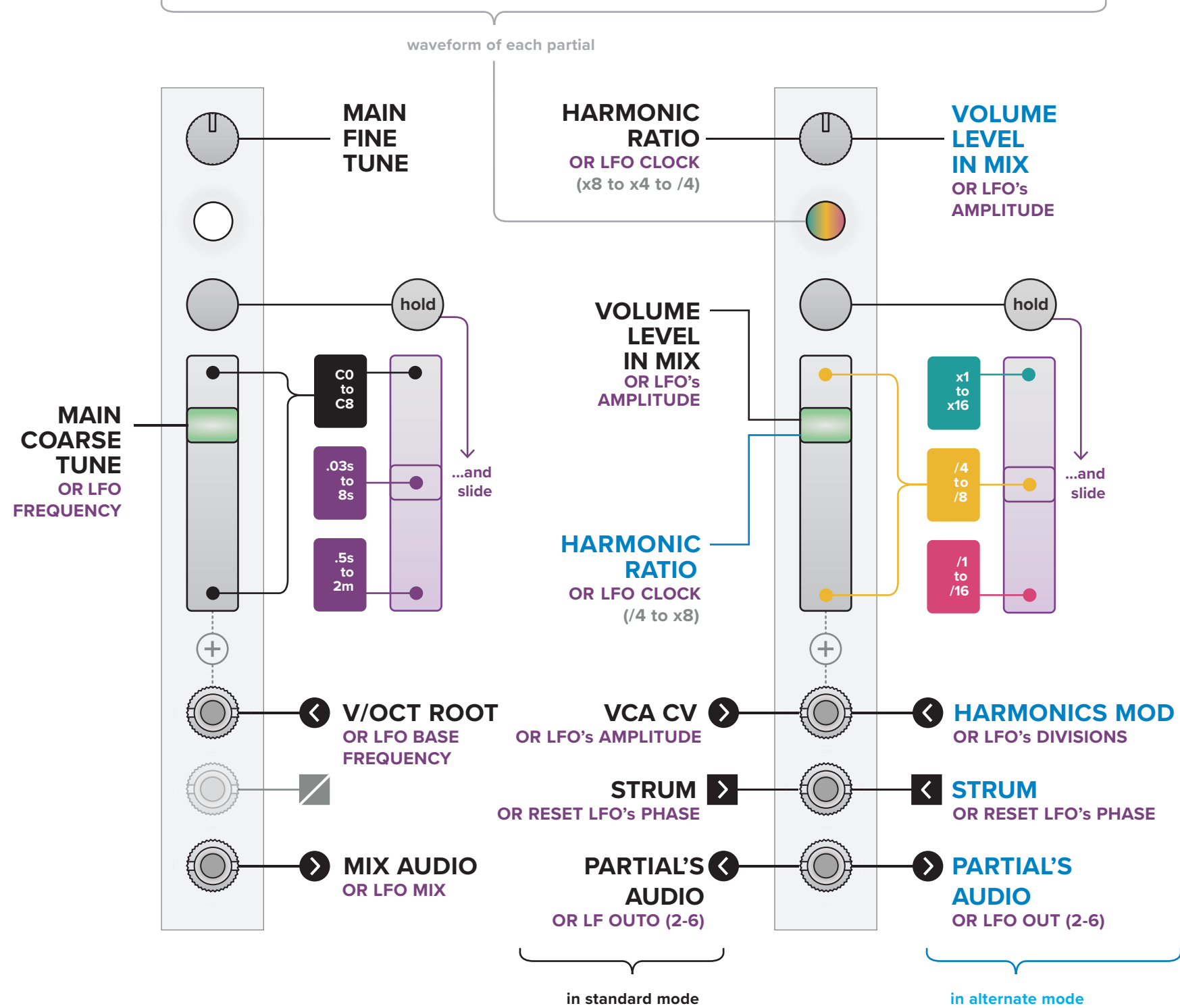
- (n) is in D/A/H/D
- (n) is in SUSTAIN
- (n) is in RELEASE



ENVELOPE (n)

Harmonic Oscillator Mode Alt. Harmonic Oscillator

- SAWTOOTH
- SQUARE, SHORT PULSE
- SQUARE, SHORTER PULSE
- SINE
- TRIANGLE
- SQUARE



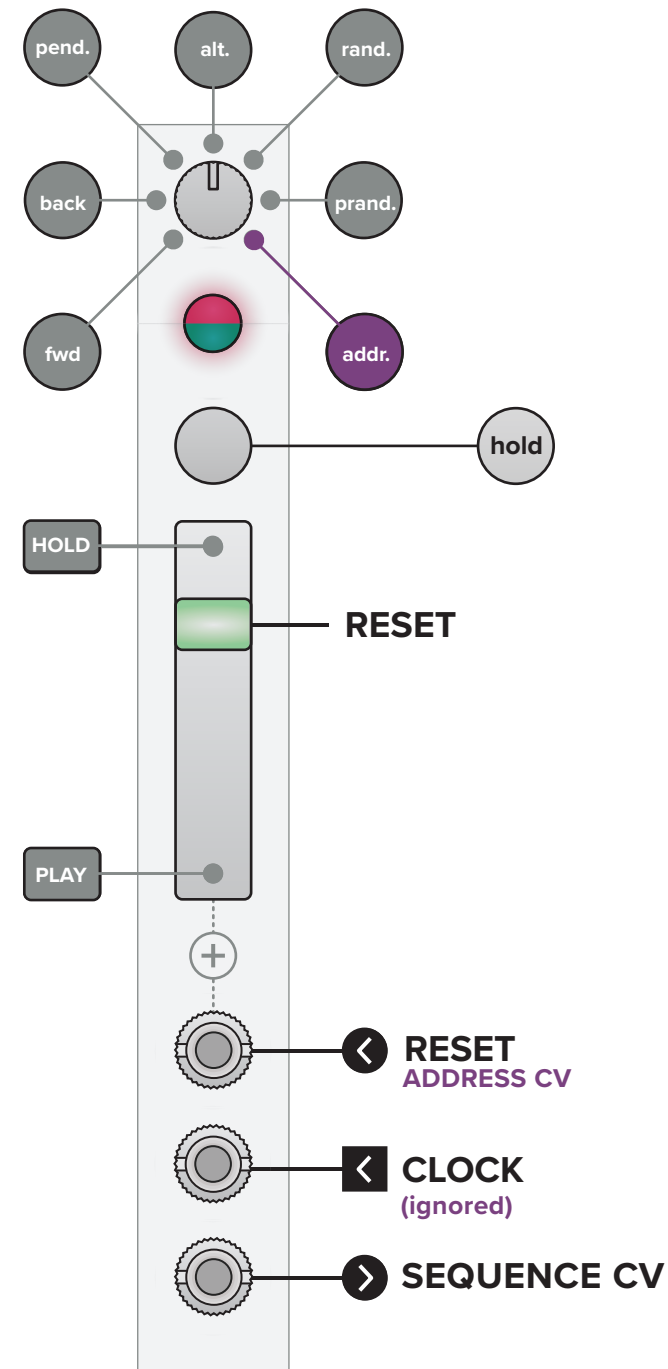
MAIN (1st)

PARTIALS (2-6)

STAGES QIEMEM — Extended Sequencer Groups

STAGES — Common Configurations

SEQUENCE PLAYBACK



SLEW

